

Juno

 Electrolux

Thinking of you

Gebrauchsanweisung
Instruction book

Kühlschrank
Fridge

JRZ 90120

We were thinking of you
when we made this product

Welcome to the world of Electrolux

You've chosen a first class product from Electrolux, which hopefully will provide you with lots of pleasure in the future. Electrolux ambition is to offer a wide variety of quality products that would make your life even more comfortable. You can look at some examples on the cover in this manual. But now it's time to study this manual and start using and enjoying the benefits from your new machine. We promise that it'll make your life a little easier. Good luck!

The following symbols are used in this manual:



Important information concerning your personal safety and information on how to avoid damaging the appliance.




General information and tips



Environmental information



The symbol  on the product or on its packaging indicates that this product may not be treated as household waste. Instead it shall be handed over to the applicable collection point for the recycling of electrical and electronic equipment. By ensuring this product is disposed of correctly, you will help prevent potential negative consequences for the environment and human health, which could otherwise be caused by inappropriate waste handling of this product. For more detailed information about recycling of this product, please contact your local city office, your household waste disposal service or the shop where you purchased the product.

CONTENTS

Safety Information

Use

Cleaning the interior	28
Control panel	28
Starting the appliance	28
Temperatur control	29
Temperatur display	29
Schnellkühlen function	29
Movable shelves	30
Positioning the door shelves	30
“Vital & frisch” 0°C compartment	30
Humidity control	31
“Vital & frisch” 0°C compartment -	
Interior Accessories	31

Hints	32
Storage time in the “Vital & frisch” 0°C compartment for fresh food	33
Maintenance	34
Periodic cleaning	34
“Vital & frisch” 0°C compartment	34
Periods of non-operation	34
Interior light	34
Defrosting	35
Customer service and spare parts	35
Installation	36
Location	36
Positioning	36
Electrical connection	37
Building-in	37
European Guarantee	38
www.electrolux.com	39

SAFETY INFORMATION

It is most important that this instruction book should be retained with the appliance for future reference. Should the appliance be sold or transferred to another owner, or should you move house and leave the appliance, always ensure that the book is supplied with the appliance in order that the new owner can be acquainted with the functioning of the appliance and the relevant warnings.

If this appliance featuring magnetic door seals is to replace an older appliance having a spring lock (latch) on the door or lid, be sure to make that spring lock unusable before you discard the old appliance. This will prevent it from becoming a death-trap for a child.

These warnings are provided in the interest of safety. You must read them carefully before installing or using the appliance.

General Safety

- This appliance is designed to be operated by adults. Children should not be allowed to tamper with the controls or play with the product.
- It is dangerous to alter the specifications or modify this product in any way.
- Before any cleaning or maintenance work is carried out, be sure to switch off and unplug the appliance.
- This appliance is heavy. Care should be taken when moving it
- Ice lollies can cause frost burns if consumed straight from the appliance.
- Take utmost care when handling your appliance so as not to cause any damages to the cooling unit with consequent possible fluid leakages.
- The appliance must not be located close to radiators or gas cookers.
- Avoid prolonged exposure of the appliance to direct sunlight.
- There must be adequate ventilation round the back of the appliance and any damage to the refrigerant circuit must be avoided.
- For freezers only (except built-in models): an ideal location is the cellar or basement.
- Do not use other electrical appliances (such as ice cream makers) inside of refrigerating appliances.

Service/Repair

- Any electrical work required to install this appliance should be carried out by a qualified electrician or competent person
- This product should be serviced by an authorized Service Centre, and only genuine spare parts should be used.
- Under no circumstances should you attempt to repair the appliance yourself. Repairs carried out by inexperienced persons may cause injury or more serious

malfunctioning. Refer to your local Service Centre, and always insist on genuine spare parts.

- This appliance contains hydrocarbons in its cooling unit; maintenance and recharging must therefore only be carried out by authorized technicians.

Use

- The domestic refrigerators and freezers are designed to be used specifically for the storage of edible foodstuffs only.
- Best performance is obtained with ambient temperature between +18°C and +43°C (class T); +18°C and +38°C (class ST); +16°C and +32°C (class N); +10°C and +32°C (class SN). The class of your appliance is shown on its rating plate.

Warning: when the ambient temperature is not included within the range indicated for the class of this appliance, the following instructions must be observed: when the ambient temperature drops below the minimum level, the storage temperature in the freezer compartment cannot be guaranteed; therefore it is advisable to use the food stored as soon as possible.

- Frozen food must not be re-frozen once it has been thawed out.
- Manufacturers' storage recommendations should be strictly adhered to. Refer to relevant instructions.

- The inner lining of the appliance consists of channels through which the refrigerant passes. If these should be punctured this would damage the appliance beyond repair and cause food loss. **DO NOT USE SHARP INSTRUMENTS** to scrape off frost or ice. Frost may be removed by using the scraper provided. Under no circumstances should solid ice be forced off the liner. Solid ice should be allowed to thaw when defrosting the appliance.
- Do not place carbonated or fizzy drinks in the freezer as it creates pressure on the container, which may cause it to explode, resulting in damage to the appliance. Do not use a mechanical device or any artificial means to speed up the thawing process other than those recommended by the manufacturer. Never use metal objects for cleaning your appliance as it may get damaged.

Installation

- During normal operation, the condenser and compressor at the back of the appliance heat up considerably. For safety reasons, minimum ventilation must be as shown in the instructions.

Attention: keep ventilation openings clear of obstruction.

- Care must be taken to ensure that the appliance does not stand on the electrical supply cable.


Important: if the supply cord is damaged, it must be replaced by a

special cord or assembly available from the manufacturer or its service agent.

- If the appliance is transported horizontally, it is possible that the oil contained in the compressor flows in the refrigerant circuit. It is advisable to wait at least two hours before connecting the appliance to allow the oil to flow back in the compressor.
- There are working parts in this product which heat up. Always ensure that there is adequate ventilation as a failure to do this will result in component failure and possible food loss. See installation instructions.
- Parts which heat up should not be exposed. Wherever possible the back of the product should be against a wall.



Environment Protection

This appliance does not contain gasses which could damage the ozone layer, in either its refrigerant circuit or insulation materials. The appliance shall not be discarded together with the urban refuse and rubbish. Avoid damaging the cooling unit, especially at the rear near the heat exchanger. Information on your local disposal sites may be obtained from municipal authorities. The materials used on this appliance marked by the symbol  are recyclable.

i USE

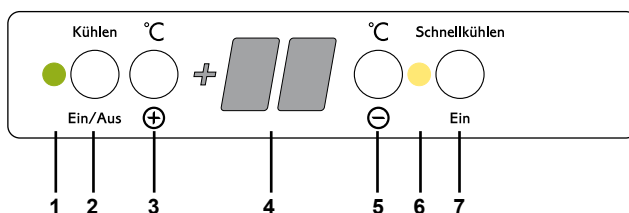
Cleaning the interior

Before using the appliance for the first time, wash the interior and all internal accessories with luke-warm water and some neutral soap so as to remove the typical smell of a brand-new product, then dry thoroughly.



Do not use detergents or abrasive powders, as these will damage the finish.

Control Panel



- | | |
|--|---|
| <p>1 Pilot light (green)</p> <p>2 ON/OFF switch</p> <p>3 Temperature setting buttons (for warmer temperatures)</p> <p>4 Temperature display</p> <p>5 Temperature setting buttons (for colder temperatures)</p> | <p>6 Schnellkühlen indicator light (yellow)</p> <ul style="list-style-type: none"> • Schnellkühlen for intensive fridge cooling <p>7 Push button for Schnellkühlen</p> |
|--|---|

Starting the appliance

- The temperature setting buttons are located at the top of the appliance on the control panel.
- Insert the plug into the plug socket.
- Press ON/OFF button (2). The green mains pilot indicator (1) illuminates.
- The interior lighting comes on. The compressor starts and then runs automatically. To switch off the appliance, press the ON/OFF button (2) until the display goes off.
- Press either the “+” (3) or “-” (5) button. The temperature display switches over and the DESIRED temperature currently set flashes on the temperature display.

Temperature Control

- The temperature display is switched over from the display of the ACTUAL temperature (temperature display is illuminated) to the display of the DESIRED temperature (temperature display flashes) by pressing one of the two buttons, “+” (3) or “-” (5).
- With each further press of one of the two buttons, the DESIRED temperature is adjusted by 1°C.
- If neither button is pressed, the temperature display automatically switches back after a short period (approx. 5 sec.) to the display of the ACTUAL temperature.

DESIRED temperature means:

The temperature that is required in the refrigerator, this can be adjusted to the temperatures shown in the display. The DESIRED temperature is indicated by flashing numbers.

ACTUAL temperature means:

The temperature display indicates the temperature that is currently present in the refrigerator. The ACTUAL temperature is indicated by continuously illuminated numbers.

Temperatur display

The temperature display (4) can indicate several pieces of information.

- During normal operation, the temperature currently present in the refrigerator (ACTUAL temperature) is displayed.
- When the temperature is being adjusted, the temperature currently set flashes (DESIRED temperature).

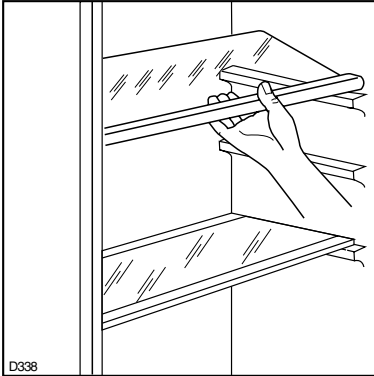
Schnellkühlen function

The Schnellkühlen function is suited for quick cooling of large quantities of goods in the refrigerator, e.g. drinks and salads for a party.

- The Schnellkühlen function is switched on by pressing the Schnellkühlen button (7). The yellow light (6) illuminates. The Schnellkühlen function now ensures intensive cooling. A DESIRED temperature of +3°C is automatically selected. The Schnellkühlen function is ended automatically after a period of 6 hours. The originally selected DESIRED temperature is again valid and the compartment will return to. The temperature display shows the ACTUAL refrigerator temperature.
- The Schnellkühlen function can be ended manually at any time by pressing the Schnellkühlen button (7) again. The yellow light (6) goes out.

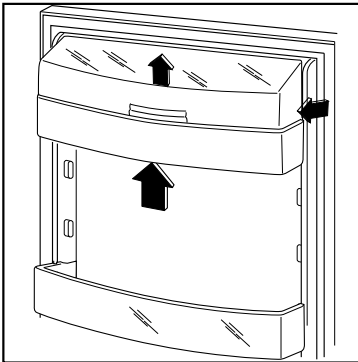
Movable shelves

The walls of the refrigerator are equipped with a series of runners so that the shelves can be positioned as desired.



Positioning the door shelves

To permit storage of food packages of various sizes, the door shelves can be placed at different heights. To make these adjustments proceed as follows: Gradually pull the shelf in the direction of the arrows until it comes free, then reposition as required.



“Vital & frisch” 0°C compartment

- In the “Vital & frisch” 0°C compartment the temperature is controlled automatically. It stays constantly at about 0°C, no adjustment is necessary.
- The constant storage temperature of about 0°C and the relative humidity of between 45 and 90 % provide optimal conditions for the various kinds of food.
- You can therefore store a variety of fresh food in the “Vital & frisch” 0°C compartment, where it will last up to 3 times longer with better quality compared to normal refrigerator compartments.

This allows you to stock more fresh food. Taste, degree of freshness, quality and nutritional values (vitamins and minerals) are well preserved. Loss of weight in vegetables and fruit diminishes. Food yields a higher degree of nutritional value.



- The “Vital & frisch” 0°C compartment is also suitable for defrosting food. In this case the thawed food can be stored up to two days in the “Vital & frisch” 0°C compartment.
- The compartment has stops to prevent the drawers from falling out when fully extended. To remove the drawers (e.g. for cleaning purposes), pull them out as far as the stops, lift and extract.

Humidity control

- Both drawers can be used according to the desired storage conditions independently of each other with lower or higher humidity.



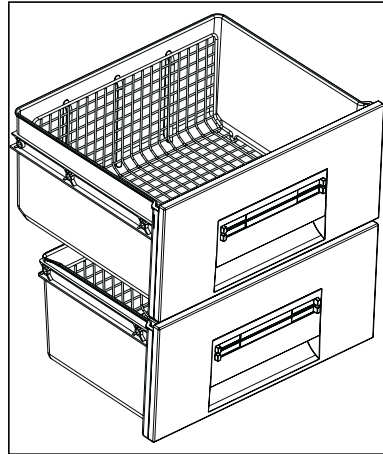
Regulation for each drawer is separate and is controlled using the slide valve at the front of the drawer.

- “Dry”:** low air humidity - up to 50 % relative humidity.
 This humidity level is reached when both sliders are set into this position  and the ventilation openings are wide open.
- “Humid”:** high relative humidity - up to 90 %.
 This humidity level is reached when both sliders are set in this position  and the ventilation openings are closed. Humidity is kept and can not escape.

“Vital & frisch” 0°C compartment - Interior Accessories

Drawers

- The wire shelves inside the drawers permit that air can circulate freely and consequently a better conservation of foods.



Note: if large quantities of foods are to be stored in the 0°C compartment, it is possible to remove the bottom drawer.

Hints

- Pay attention to the freshness of the food, especially on the expiry date. Quality and freshness influence the storage time.
- Foods, and especially salad, must be kept well covered or packaged in such a way that they do not dry out and that their flavours and fragrances remain unchanged. Animal food always store packed and dry.
- Food rich in proteins will go bad quicker. This means seafood will spoil before fish which in turn will spoil before meat. While storing food in a 0°C compartment storage time for that kind of food can be increased by up to three times as well without loss on quality.
- All food stored in a 0°C compartment should be taken out of the drawers roughly 15-30 min before consumption, particularly fruit and vegetables to be consumed without any additional cooking process. Allowing fruit and vegetables to return to room temperature will improve the texture and flavour.
- The level of air humidity in the drawers depends on the content of humidity in the stored food, vegetable and fruit and on the frequency of door opening.
- The “Vital & frisch” 0°C compartment is also suitable for slow thawing of food. In this case the thawed food can be stored in the “Vital & frisch” 0°C compartment for up to two days. Not to be placed in the “Vital & frisch” 0°C compartment:
- cold sensitive fruit which have to be stored at cellar or room temperature like pineapple, bananas, grapefruit, melons, mango, papaya, oranges, lemons, kiwi fruit.

Storage time in the “Vital & frisch” 0°C compartment for fresh food


type of food	air humidity adjustment	storage time
Onion	⚡ “dry”	up to 5 months
Butter	⚡ “dry”	up to 1 month
Large pork cuts	⚡ “dry”	up to 10 days
Beef, venison, small pork cuts, poultry	⚡ “dry”	up to 7 days
Tomato sauce	⚡ “dry”	up to 4 days
Fish, shellfish, cooked meat products	⚡ “dry”	up to 3 days
Cooked seafood	⚡ “dry”	up to 2 days
Salad, vegetables - Carrots, herbs, Brussels sprouts, celery	⚡⚡ “humid”	up to 1 month
Artichokes, cauliflower, chicory, iceberg lettuce, endive, lamb’s lettuce, lettuce, leeks, radicchio	⚡⚡ “humid”	up to 21 days
Broccoli, Chinese leaves, kale, cabbage, radishes, Savoy cabbage	⚡⚡ “humid”	up to 14 days
Peas, kohlrabi	⚡⚡ “humid”	up to 10 days
Spring onions, asparagus, spinach	⚡⚡ “humid”	up to 7 days
Fruit (*) - Pears, dates (fresh), strawberries, peaches (*)	⚡⚡ “humid”	up to 1 month
Plums (*), rhubarb, gooseberries	⚡⚡ “humid”	up to 21 days
Apples (not sensitive to cold), quinces	⚡⚡ “humid”	up to 20 days
Apricots, cherries	⚡⚡ “humid”	up to 14 days
Damsons, grapes	⚡⚡ “humid”	up to 10 days
Blackberries, currants	⚡⚡ “humid”	up to 8 days
Figs (fresh)	⚡⚡ “humid”	up to 7 days
Blueberries, raspberries	⚡⚡ “humid”	up to 5 days

(*) The riper the fruit, the shorter the storage time

Cakes containing cream and other kinds of pastry products can be stored in the “Vital & frisch” 0°C compartment for 2 or 3 days.

The types of food not mentioned above should be stored in the refrigerator compartment (e.g. all sorts of cheese, cold cuts, etc.).

MAINTENANCE

 Unplug the appliance before carrying out any maintenance operation.



Warning

This appliance contains hydrocarbons in its cooling unit; maintenance and recharging must therefore only be carried out by authorized technicians.

Periodic cleaning

Clean the inside with warm water and bicarbonate of soda.

Rinse and dry thoroughly.

Clean the condenser (black grill) and the compressor at the back of the appliance with a brush or a vacuum cleaner. This operation will improve the performance of the appliance and save electricity consumption.

“Vital & frisch” 0°C compartment

The lowest shelf, dividing the cooler compartment from the “Vital & frisch” 0°C compartment can be removed for cleaning. To remove pull out the shelf straight.

The cover plates above the drawers in the 0°C compartment can be taken out for cleaning. To make sure fully functionality of the “Vital & frisch” 0°C compartment the cover must be put back in their original position after cleaning.


Periods of non-operation

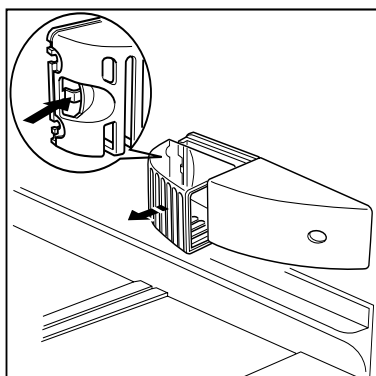
When the appliance is not in use for long periods, take the following precautions:

- remove the plug from the wall socket;
- remove all food;
- defrost and clean the interior and all accessories;
- leave the door ajar to allow air to circulate to prevent unpleasant smells.

Interior light

If it becomes necessary to replace the lamp, press on the rear hook and at the same time slide the cover in the direction indicated by the arrow.

 Replace the lamp with one of the same power (the maximum power is shown on the light diffuser).



Defrosting

- Defrosting the refrigerator compartment is automatic. The defrost water drains out through a trough into a container at the back of the appliance, above the motor compressor, where it evaporates.

CUSTOMER SERVICE AND SPARE PARTS


If the appliance is not functioning properly, check that:

- the plug is firmly in the wall socket and the mains power switch is on;
- there is an electricity supply (find out by plugging in another appliance);
- If there are water drops on the bottom of the cabinet, check that the defrost water drain opening is not obstructed (see “Defrosting” section).
- If your appliance is still not working properly after making the above checks, contact the nearest service centre.

To obtain fast service, it is essential that when you apply for it you specify the model and serial number of your appliance which can be found on the guarantee certificate or on the rating plate located inside the appliance, on the bottom left-hand side.

INSTALLATION

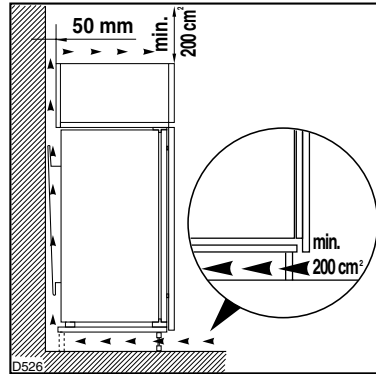
Location

 Take utmost care when handling your appliance so as not to cause any damages to the cooling unit with consequent possible fluid leakages.

- During normal operation, the condenser and compressor at the back of the appliance heat up considerably. Always ensure that there is adequate ventilation as a failure to do this will result in component failure and possible food loss. See installation instructions.
- **Important:** if the supply cord is damaged, it must be replaced by a special cord or assembly available from the manufacturer or its service agent.

Positioning

- Unpack the cabinet and check that it is in good condition and free of any transport damage.
- Place the refrigerator away from direct sunlight and heat sources.
- Avoid prolonged exposure of the appliance to direct sunlight.
- For safety reasons, minimum ventilation must be as shown in Fig.



Attention: keep ventilation openings clear of obstruction.

- It is necessary that the niche is provided with a conduct of ventilation having the following dimensions:

Depth 50 mm
 Width 540 mm

The climate classification can be found on the rating plate, which is located inside the cabinet on the left hand wall.

The following table shows which ambient temperature is correct for each climate classification:

Climate classification	for an ambient temperature of
SN	+10 to +32°C
N	+16 to +32°C
ST	+18 to +38°C
T	+18 to +43°C

Electrical connection

Before plugging in, ensure that the voltage and frequency shown on the serial number plate correspond to your domestic power supply. Voltage can vary by $\pm 6\%$ of the rated voltage.

For operation with different voltages, a suitably sized auto-transformer must be used.

The appliance must be earthed.

The power supply cable plug is provided with a contact for this purpose. If the domestic power supply socket is not earthed, connect the appliance to a separate earth in compliance with current regulations, consulting a specialist technician.

The Manufacturer declines all responsibility if the above safety precautions are not observed.

C E This appliance complies with the following E.E.C. Directives:

- **87/308 EEC** of 2/6/87 relative to radio interference suppression.
- **73/23 EEC** of 19.2.73 (Low Voltage Directive) and subsequent modifications;
- **89/336 EEC** of 3.5.89 (Electromagnetic Compatibility Directive) and subsequent modifications.



ATTENTION!

It must be possible to disconnect the appliance from the mains power supply; the plug must therefore be easily accessible after installation.

Building-in

See "Installation Instructions" supplied.

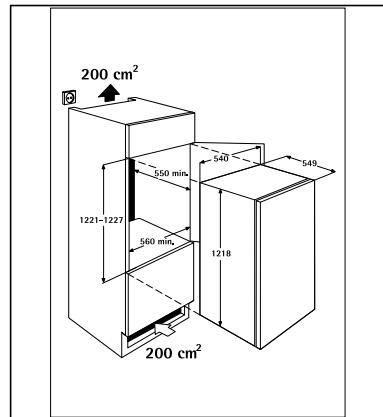
Please check whether, after installing your appliance and especially after reversing the door, the door seal seals right round. A badly fitting door seal may lead to heavy frosting and thereby to a higher power consumption.



Warning!

If the ambient temperature is cold (i.e. in Winter), the gasket may not fit perfectly to the cabinet. In that case, wait for the natural fitting of the gasket or accelerate this process by heating up the part involved with a normal hairdrier.

Dimensioned drawing



EUROPEAN GUARANTEE

This appliance is guaranteed by Electrolux in each of the countries listed at the back of this user manual, for the period specified in the appliance guarantee or otherwise by law. If you move from one of these countries to another of the countries listed, the appliance guarantee will move with you subject to the following qualifications:

- The appliance guarantee starts from the date you first purchased the appliance which will be evidenced by production of a valid purchase document issued by the seller of the appliance.
- The appliance guarantee is for the same period and to the same extent for labour and parts as exists in your new country of residence for this particular model or range of appliances.
- The appliance guarantee is personal to the original purchaser of the appliance and cannot be transferred to another user.
- The appliance is installed and used in accordance with instructions issued by Electrolux and is only used within the home, i.e. is not used for commercial purposes.
- The appliance is installed in accordance with all relevant regulations in force within your new country of residence.

The provisions of this European Guarantee do not affect any of the rights granted to you by law.

www. electrolux.com

Albania	+35 5 4 261 450	Rr. Pjeter Bogdani Nr. 7 Tirane
Belgique/België/Belgien	+32 2 363 04 44	Bergensesteenweg 719, 1502 Lembeek
Česká republika	+420 2 61 12 61 12	Budějovická 3, Praha 4, 140 21
Danmark	+45 70 11 74 00	Sjællandsgade 2, 7000 Fredericia
Deutschland	+49 180 32 26 622	Muggenhofer Str. 135, 90429 Nürnberg
Eesti	+37 2 66 50 030	Mustamäe tee 24, 10621 Tallinn
España	+34 902 11 63 88	Carretera M-300,Km.29,900 Alcalá de Henares Madrid
France	www.electrolux.fr	
Great Britain	+44 8705 929 929	Addington Way, Luton, Bedfordshire LU4 9QQ
Hellas	+30 23 10 56 19 70	4, Limnou Str., 54627 Thessaloniki
Hrvatska	+385 1 63 23 338	Slavonska avenija 3, 10000 Zagreb
Ireland	+353 1 40 90 753	Long Mile Road Dublin 12
Italia	+39 (0) 434 558500	C.so Lino Zanussi, 26 - 33080 Porcia (PN)
Latvija	+37 17 84 59 34	Kr. Barona iela 130/2, LV-1012, Rīga
Lietuva	+370 5 2780609	Verkių 29, LT-09108 Vilnius
Luxembourg	+35 2 42 43 13 01	Rue de Bitbourg, 7, L-1273 Hamm
Magyarország	+36 1 252 1773	H-1142 Budapest XIV, Erzsébet királyné útja 87
Nederland	+31 17 24 68 300	Vennootsweg 1, 2404 CG - Alphen aan den Rijn
Norge	+47 81 5 30 222	Risløkkvn. 2 , 0508 Oslo
Österreich	+43 18 66 400	Herziggasse 9, 1230 Wien
Polska	+48 22 43 47 300	ul. Kolejowa 5/7, Warsaw
Portugal	+35 12 14 40 39 39	Quinta da Fonte-Edifício Gonçalves Zarco-Q 35-2774-518 Paço de Arcos
Romania	+40 21 451 20 30	Str. Garii Progresului 2, S4, 040671 RO
Schweiz-Suisse-Svizzera	+41 62 88 99 111	Industriestrasse 10, CH-5506 Mägenwil
Slovenija	+38 61 24 25 731	Tržaška 132, 1000 Ljubljana
Slovensko	+421 2 43 33 43 22	Electrolux Slovakia s.r.o., Electrolux Domáce spotrebiče SK, Seberinoho 1, 821 03 Bratislava
Suomi	+35 8 26 22 33 00	Konepajaranta 4, 28100 Pori
Sverige	+46 (0)771 76 76 76	Electrolux Service, S:t Göransgatan 143, S-105 45 Stockholm
Türkiye	+90 21 22 93 10 25	Tarlabası caddesi no : 35 Taksim İstanbul
Россия	+7 095 937 7837	129090 Москва, Олимпийский проспект, 16, БЦ "Олимпик"

www.electrolux.com

www.juno-electrolux.de